



AlfaBlue Junior DG

Dry coolers – commercial range

General information & application

In addition to the well-proven AlfaBlue dry cooler line, the new generation of AlfaBlue Junior commercial dry coolers is a competitive product line of robust construction and high rigidity, that has every feature you need.

AlfaBlue Junior offers excellent performance especially at low air flow rates, allowing easy installation on site and an outstanding integration with other components. Highly efficient fan motors combine excellent sound characteristics and low energy consumption.

AlfaBlue Junior dry coolers are often used for cooling down condenser water in air-conditioning and refrigeration installations. In the processing industry, dry coolers are suitable for closed circuit cooling of various process liquids.

Coil

An innovative coil design based on 10 mm copper tubes and corrugated aluminium turbo fins provides excellent heat transfer at a limited internal volume. Standard fin spacing is 2.1 mm.

Casing

The coil frame is made from AlMg₃ for protection against vibration and thermal expansion. Casing material is galvanized steel sheet, pre-painted with an epoxy finish (RAL9002). Separated fan sections.

Fan motors

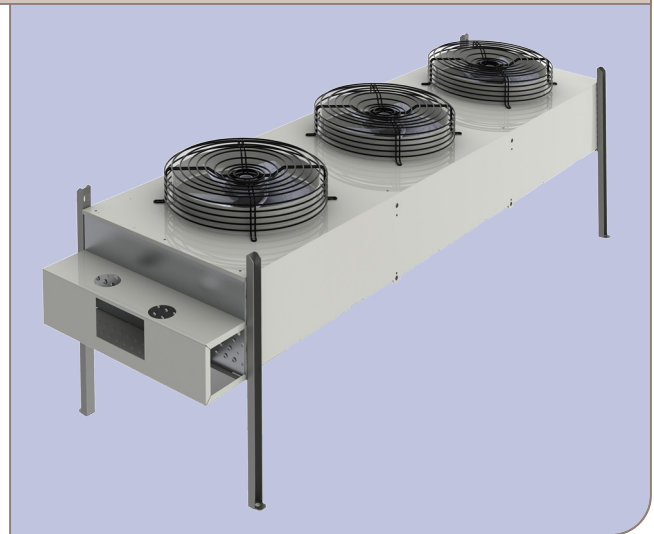
High efficiency AC or EC fans with innovative polymeric fan blades and low power consumption. Available in two fan diameters (500 & 630 mm), different power supplies (230/50-60/1, 400/50-60/3) and four noise levels.

Protection class IP 54 according to DIN 40050.

AC motors are fitted with integrated thermo contacts to provide reliable protection against thermal overload (terminals in the box). Motors may be wired to one or more common terminal boxes.

Options

- Safety switches (SW)
- Terminal box for electric power connection (CB)
- Fan speed control 230/1 and 400/3 (BFT)
- Flanges (aluminium)



AlfaBlue Junior DG

- End covers (CV)
- Coil corrosion protection
 - Fins epoxy coated (EP)
 - Fins seawater resistant aluminium alloy 57S/5052 (SWR)
 - Blygold treatment (BY)
 - F-coat treatment (FC)
- Fin spacing 2.5 mm
- Vibration dampers (VD)

Customisation (on request)

- Reverse setup (fitted with blow through fans, for high air-in temperature applications)

Certifications

All dry cooler models are "Eurovent Certify All" certified. The Alfa Laval quality system is in accordance with ISO 9001. All products are manufactured according to CE and PED rules.

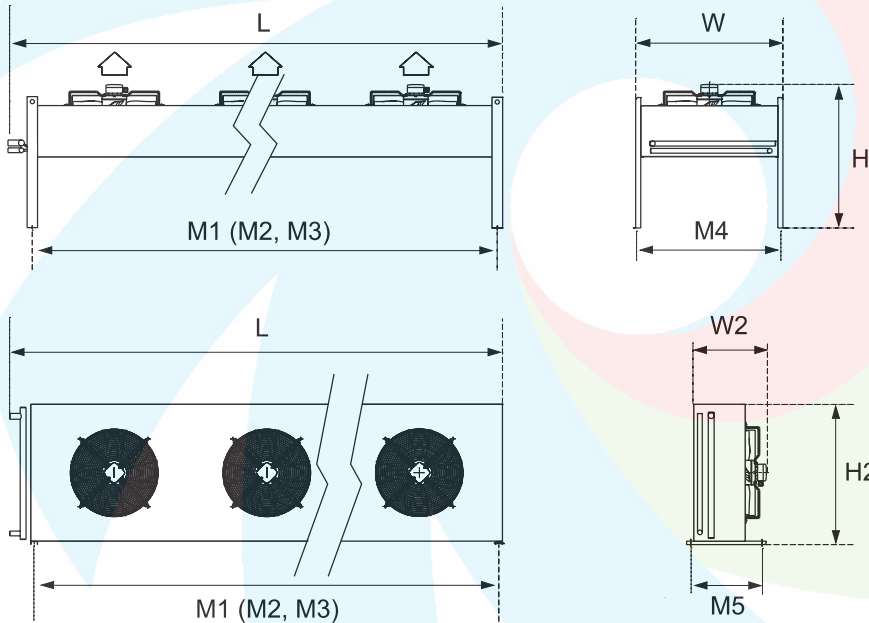
Design pressure

Design pressure 6 bar. Each heat exchanger is leak tested with dry air.

Selection

Selection and pricing is to be performed with our Alfa Laval air heat exchanger selection software. Please contact our sales organization for details and full technical documentation.

type	fans	Dimensions										Weight		
		L mm	H mm	W mm	H2 mm	W2 mm	M1 mm	M2 mm	M3 mm	M4 mm	M5 mm	Coil A kg	Coil B kg	Coil C kg
DG*501	1	1115	846	868	828	428	860	0	0	868	420	39	42	47
DG*502	2	2015	846	868	828	428	1760	0	0	868	420	76	85	93
DG*503	3	2915	846	868	828	428	2660	0	0	868	420	111	123	137
DG*504	4	3815	846	868	828	428	1800	1840	0	868	420	0	179	192
DG*631	1	1261	1180	1070	1034	680	960	0	0	1070	700	87	93	99
DG*632	2	2261	1180	1070	1034	680	1960	0	0	1070	700	164	176	188
DG*633	3	3261	1180	1070	1034	680	2960	0	0	1070	700	242	259	277
DG*634	4	4261	1180	1070	1034	680	3960	1960	0	1070	700	318	343	366
DG*635	5	5261	1180	1070	1034	680	4960	1960	2000	1070	700	374	403	434
DG*636	6	6261	1180	1070	1034	680	5960	1960	2000	1070	700	448	484	519



NOTE: weights for DG*6 are given for sound execution S (Standard).
Weights for executions L, Q & R are 92% of the given values.

Code description

DG	S(E)	50	2	B	D	H/V	BO	*	-	AL	2.1	CU	*
1	2	3	4	5	6	7	8	9		10	11	12	13

- AlfaBlue Junior dry cooler
- Sound level/fan code: S=standard, L=low, Q=quiet, R=residential, E=EC fan motor
- Fan diameter (50=500 mm, 63=630 mm)
- Number of fans (1 to 6)
- Tube rows code (A, B, C)
- Phases (S=monophase, D=three phases)
- Suitable for both horizontal & vertical installation
- Transport packing (BO=box, P=pallet, CR=crate)
- Options
- Fin material/coating (AL=aluminium, IF=industrial fins, SWR=AlMg2.5, EP=epoxy coated alu, FC=F-coat, BY=Blygold)
- Fin spacing (2.1 mm, 2.5 mm)
- Tube material (CU=copper)
- Extra options

Benefits

- Excellent sound characteristics, suitable for residential applications
- Reliable performance, Eurovent certified
- Easy installation & maintenance.
- Energy efficient - low total cost of ownership.
- Damage-proof packing in sturdy cardboard box on pallet. Bigger units in a crate and wrapped with plastic foil.
- Two-year product guarantee.

ERC00259EN 1210

Alfa Laval reserves the right to change specification without prior notification.

How to contact Alfa Laval

Up-to-date Alfa Laval contact details for all countries are always available on our website at www.alfalaval.com

